

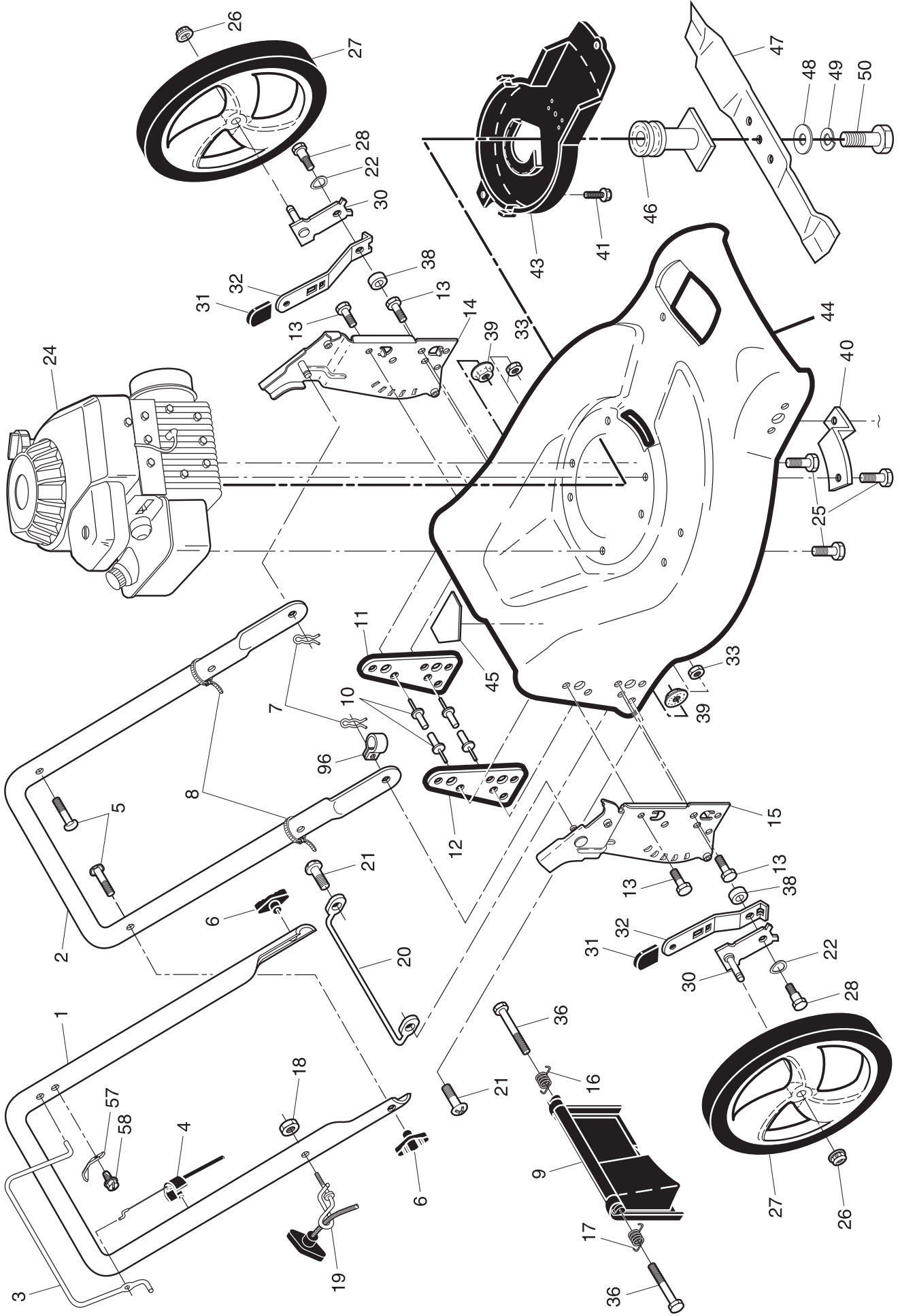
ILLUSTRATED PARTS LIST

CUSTOMER MODEL NUMBER P4051CMD

PRODUCT NUMBER 961 41 00-84

MFG. ID. NUMBER 96141008405

ROTARY LAWN MOWER -- MODEL NUMBER P4051CMD (96141008405) PRODUCT NO. 961 41 00-84



ROTARY LAWN MOWER -- MODEL NUMBER P4051CMD (96141008405) PRODUCT NO. 961 41 00-84

| KEY NO. | PART NO. | DESCRIPTION | KEY NO. | PART NO. | DESCRIPTION |
|---------|---------------------|---|---------|---------------------|--|
| 1 | 532 19 84-59 | Upper Handle | 26 | 532 40 91-48 | Hex Flange Nut |
| 2 | 532 15 36-05 | Lower Handle | 27 | 532 40 61-55 | Wheel & Tire Assembly, Rear, 12" |
| 3 | 532 19 84-64 | Control Bar | 28 | 532 40 16-38 | Shoulder Bolt 5/16-18 x .33 |
| 4 | 532 18 35-67 | Engine Zone Control Cable | 30 | 532 41 21-74 | Axle Arm Assembly, Rear |
| 5 | 532 19 15-74 | Handle Bolt | 31 | 532 08 78-77 | Selector Knob |
| 6 | 532 19 19-38 | Handle Knob | 32 | 532 41 08-88 | Selector Spring |
| 7 | 532 05 17-93 | Hairpin Cotter | 33 | 873 80 05-00 | Nut, Hex 5/16-18 |
| 8 | 532 06 64-26 | Wire Tie | 36 | 532 18 41-93 | Bolt |
| 9 | 532 40 69-85 | Rear Door | 38 | 532 40 16-29 | Washer |
| 10 | 532 12 84-15 | Pop Rivet | 39 | 532 19 85-41 | Nut |
| 11 | 532 41 05-40 | Support Bracket, LH | 40 | 532 19 09-39 | Mounting Bracket, Debris Shield |
| 12 | 532 41 05-42 | Support Bracket, RH | 41 | 532 19 23-25 | Screw |
| 13 | 817 06 04-10 | Screw 1/4-20 x 5/8 | 43 | 532 40 58-45 | Debris Shield |
| 14 | 532 19 01-54 | Handle Bracket Assembly, LH | 44 | 532 40 93-64 | Kit, Lawn Mower Housing |
| 15 | 532 19 01-53 | Handle Bracket Assembly, RH | | | (Includes Key Numbers 10, 11, 12 and 45) |
| 16 | 532 40 54-17 | Spring, Rear Door, LH | 45 | 532 18 21-66 | Danger Decal |
| 17 | 532 40 54-18 | Spring, Rear Door, RH | 46 | 532 40 46-32 | Blade Adapter |
| 18 | 532 13 20-04 | Keys Locknut 1/4-20 | 47 | 532 19 93-77 | Blade, 21" |
| 19 | 532 19 47-88 | Rope Guide | 48 | 532 85 10-74 | Hardened Washer |
| 20 | 532 41 05-36 | Foot Guard, C.E. | 49 | 532 85 02-63 | Helical Washer 3/8-24 x 1-3/8 Grade 8 |
| 21 | 532 05 45-83 | Screw, Tapping 1/4-20 x 1/2 | 50 | 532 85 10-84 | Hex Head Machine Screw 3/8-24 x 1-3/8 Grade 8 |
| 22 | 532 40 16-30 | Washer | 57 | 532 12 51-62 | Upstop Bracket |
| 24 | --- | Engine, Briggs & Stratton, Model Number 10E902-0826-B1 (order parts from engine manufacturer) | 58 | 532 75 06-34 | Screw |
| 25 | 532 15 04-06 | Hex Head Thread Rolling Screw 3/8-16 x 1-1/8 | 96 | 532 19 79-91 | Clip, Cable |
| | | | -- | 532 18 21-34 | Decal, Warning, Internal, Self-Propelled (not shown) |
| | | | -- | 532 41 00-73 | Operator's Manual, Scandinavian |
| | | | -- | 532 41 00-74 | Operator's Manual, Baltic |

NOTE: All component dimensions given in U.S. inches. 1 inch = 25.4 mm

IMPORTANT: Use only Original Equipment Manufacturer (O.E.M.) replacement parts. Failure to do so could be hazardous, damage your lawn mower and void your warranty.

ROTARY LAWN MOWER -- MODEL NUMBER P4051CMD (96141008405) PRODUCT NO. 961 41 00-84

| KEY NO. | PART NO. | DESCRIPTION | KEY NO. | PART NO. | DESCRIPTION |
|---------|---------------------|---|---------|-----------------------|--------------------|
| 1 | 532 19 46-53 | Drive Control Assembly | 57 | 532 40 18-02 | Frame, Grassbag |
| 2 | 532 19 10-39 | Bearing, Wheel Adjuster | 59 | 532 41 07-92 | Decal, Drive Cover |
| 3 | 532 17 52-62 | Pan Head Tapping Screw #10-24 x 2-3/4 | 60 | 532 18 34-97 * | Case Lower |
| 5 | 532 17 54-36 | V-Belt | 61 | 532 18 34-98 * | Case Upper |
| 6 | 532 19 84-53 | Control Bar, Drive | 62 | 532 18 34-99 | Gear, 27 Teeth |
| 9 | 532 40 91-48 | Locknut, Hex | 63 | 532 18 35-00 | Lever, Clutch |
| 11 | 532 40 29-36 | Wheel & Tire Assembly | 64 | 532 18 35 01 | Spring, Return |
| 12 | 812 00 00-58 | E-Ring | 65 | 532 18 35-02 | Shaft, Input |
| 13 | 532 40 38-49 | Pinion | 66 | 532 18 35-03 | Dog, Movable |
| 14 | 532 18 94-03 | Dust Cover | 67 | 532 18 35-04 | Dog, Fixed |
| 15 | 532 19 10-17 | Pawl, Drive | 68 | 532 18 35-05 | Wire, Formed |
| 16 | 532 06 77-25 | Washer 1/2 x 1-1/2 x .134 | 69 | 532 18 35-06 | Bearing, Ball |
| 18 | 532 08 78-77 | Selector Knob | 70 | 532 18 35-07 | Fork, Shift |
| 28 | 532 19 58-81 | Drive Cover | 71 | 532 18 35-08 | Seal, Output Shaft |
| 35 | 532 40 88-02 | Kit, Wheel Adjuster, LH (Includes Knob and Bearing) | 72 | 532 18 35-09 | Washer |
| 36 | 532 19 92-05 | Gearcase Assembly, Complete | 73 | 532 18 35-10 | Seal, Case |
| 38 | 873 80 04-00 | Locknut, Hex 1/4-20 | 74 | 532 18 35-11 | Bushing |
| 40 | 532 15 04-95 | Spring | 75 | 532 19 66-13 | Shaft, Output |
| 41 | 532 40 88-03 | Kit, Wheel Adjuster, RH (Includes Knob and Bearing) | 76 | 532 18 35-13 | Screw |
| 42 | 532 13 70-90 | Spring Tension Belt | 77 | 532 18 35-14 | Seal, Inout Shaft |
| 54 | 532 40 19-05 | Grassbag Assembly | 78 | 532 19 98-52 | Pulley, Drive |
| | | | 79 | 532 19 94-19 | Pin, Retainer |

* Use Dow Corning #709 to reseal Gear Case Halves

NOTE: All component dimensions given in U.S. inches. 1 inch = 25.4 mm

IMPORTANT: Use only Original Equipment Manufacturer (O.E.M.) replacement parts. Failure to do so could be hazardous, damage your lawn mower and void your warranty.